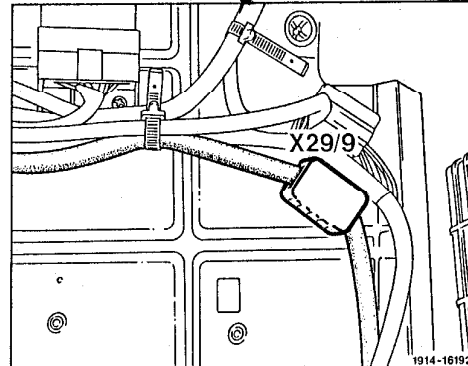
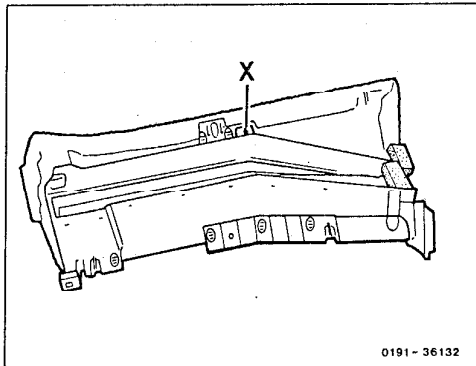
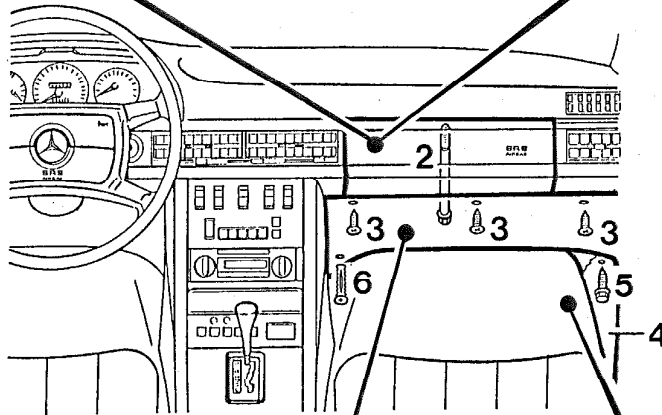
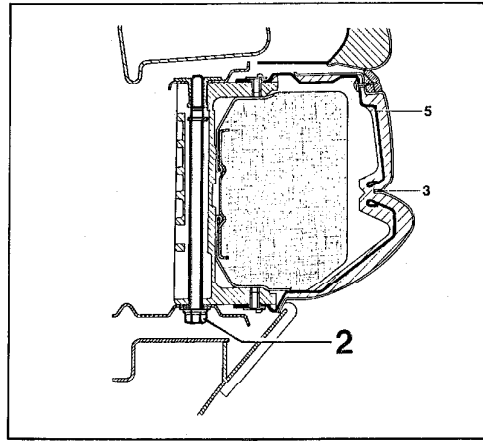
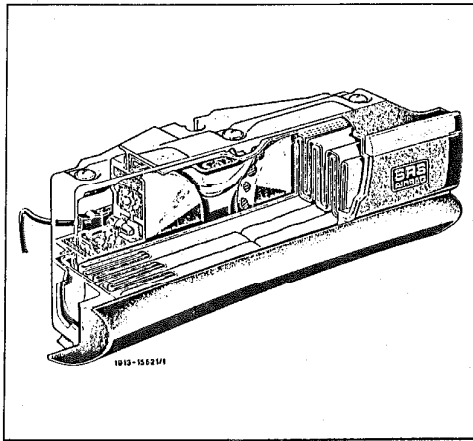


91-680 R and R front passenger's airbag unit



P 91 - 0017 - 62

P91-0017-62

91-680 R and R front passenger's airbag unit

Removal

Ignition	Switch off.
Negative battery lead	Disconnect and insulate.
Floor mat in front passenger's footwell	Remove.
Footrest in front passenger's footwell	Unscrew and remove.
Red test connector, airbag connection (X29/9) . . .	Disconnect.
Door sill trim, right side	Remove.
Edge trim	Pull off to height of instrument panel.
Cladding in front passenger's footwell	Unclip and remove.
Screw (5) in front bulkhead pillar	Remove.
Screws (3) in cladding beneath instrument panel .	Unscrew and remove.
Plastic fasteners	Turn 90° to the left and remove.
Cladding under instrument panel	Remove.
Front passenger's airbag unit, central fastening screw (2)	Unscrew, remove unit.
Plug connectors to front passenger's airbag unit .	Unscrew, remove unit.

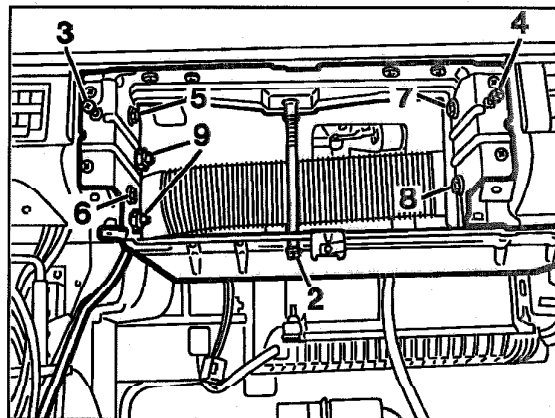
Note

Plug connectors must be heard to lock home.
SRS MIL must go out after approx. 4 s.

Front passenger's airbag unit, adjustment operations

1 By alternately depressing and releasing the front passenger's airbag unit with the thumb and forefinger on the left and right sides, check that the unit cannot be moved. If play is found, it must be rectified by tightening or easing screws (3) and (4) on one or both sides.

2 Gap spacings (a) and (b) must be the same. Unit profile must be in alignment with adjoining facia.



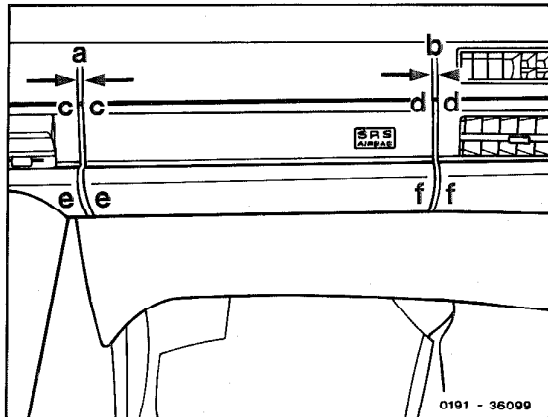
P91-2008-13

3 Wood fillets (c-c and d-d, Model 126 only) and foam elements (e-e and f-f) must be in alignment with adjoining facia.

4 Connect test connector, airbag connection (X29/9).

5 Connect negative battery terminal.

6 Switch on ignition. SRS MIL must go out after approx. 4 s.



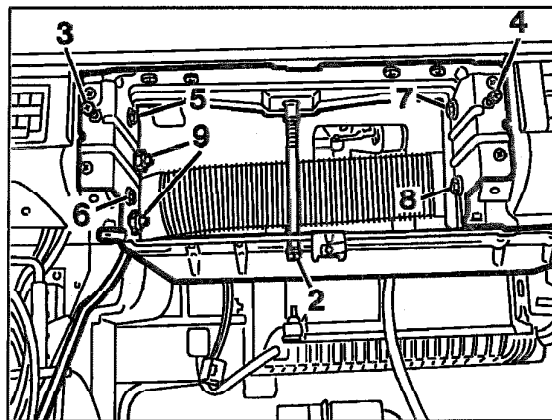
0191-36099

If the mounting frame on the instrument panel has been removed, the following adjustments are required:

1 Install mounting frame, lightly tighten screws (5-9).

2 Install front passenger's airbag unit and secure with screw (2).

3 Check installation for alignment as specified in points 1-3.



P91-2008-13

4 If the front passenger's airbag unit projects or is set back, it can be tilted downwards after releasing screws (5, 7) or upwards after releasing screws (6, 8).

5 If the front passenger's airbag unit projects or is set back on either side, it can be adjusted on the left side after releasing screws (5, 6) or on the right side after releasing screws (7, 8).

Note

When checking the alignment of the front passenger's airbag unit, the unit must always be secured with the central fastening screw.